

Kawasaki KLR650E Pack Rack Installation Instructions

Step 1:

Remove the 6 stock bolts from the stock rear rack and loosen the side grab handle bolts.

Step 2:

Remove the stock rear rack.

Step 3:

Place the Micatech spacers over each of the stock hole locations. The two longer spacers are placed in the middle locations (directly behind the tool holder cutout).

Step 4:

Put blue Loctite on each of the provided bolts.

Step 5:

Place Micatech Pack Rack over the spacers and hold the grab handles in place.

Step 6:

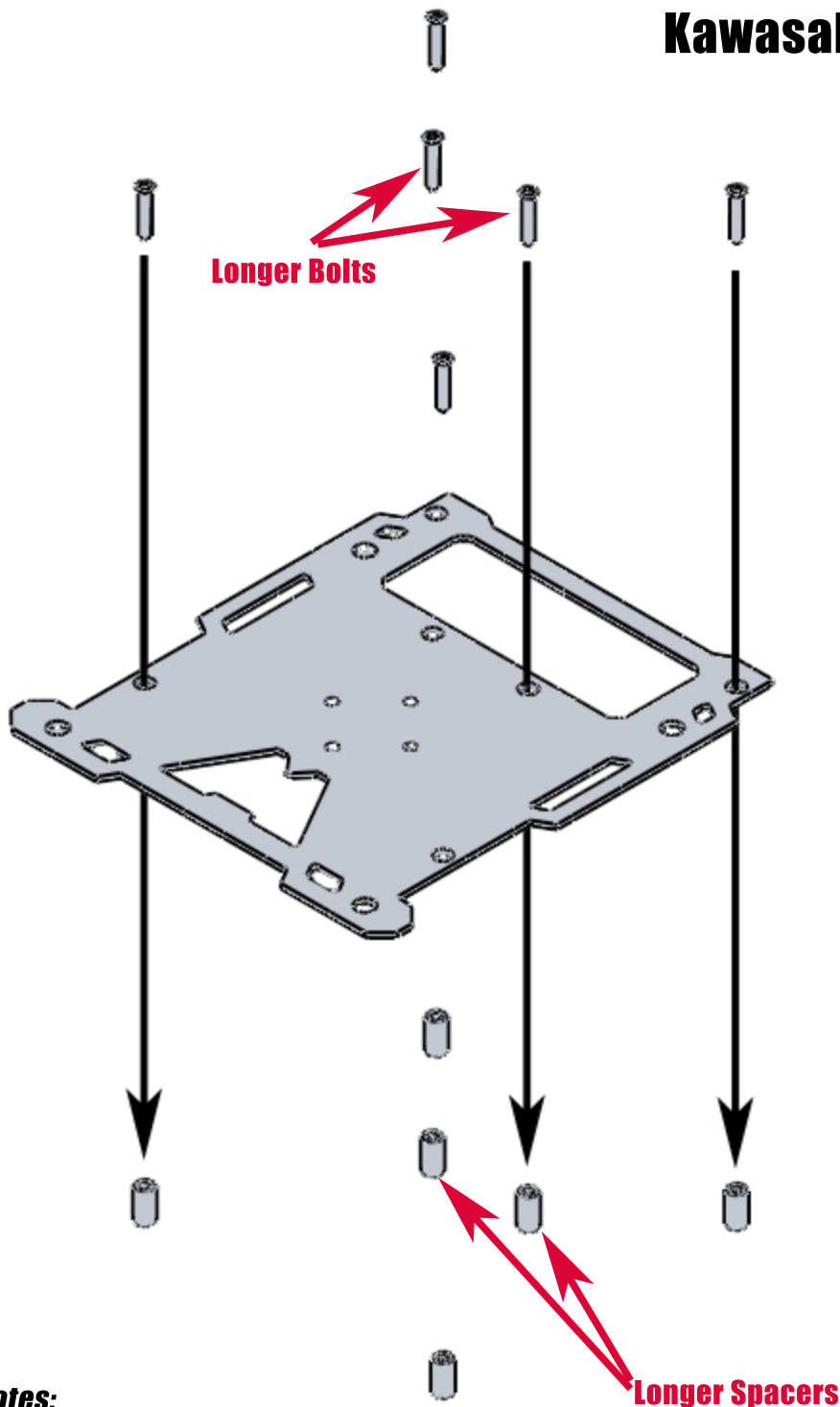
Insert bolts and tighten. The two longer bolts are placed in the middle locations (directly behind the tool holder cutout). Also tighten the stock grab handle bolts.

Step 7:

Inspect the system and make sure the connection is rigid.

Step 8:

Go Ride!



Notes:

*For clarity, not all arrows are shown.
Actual pack rack design may be slightly different.*

